

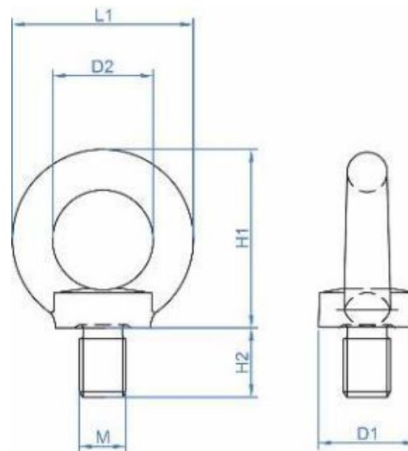
Technical data sheet

Title	Male eyebolt
--------------	--------------

1- Product description.

Forged steel male eyebolt with zinc and stainless steel coating.

2- Product dimensions.



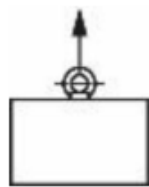
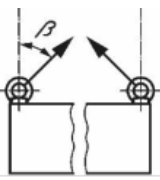
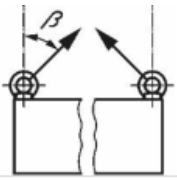
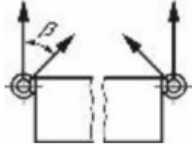
CABLE Ø	M	L1	D1	D2	H1	H2
20	M6	36	20	20	36	13
20	M8	36	20	20	36	13
25	M10	45	25	25	45	17
30	M12	54	30	30	53	20.5
30	M14	54	30	30	53	20.5
35	M16	63	35	35	62	27
35	M18	63	35	35	62	27
40	M20	72	40	40	71	30
40	M22	72	40	40	71	30
50	M24	90	50	50	90	36
60	M30	108	65	60	109	45
70	M36	126	75	70	128	54
80	M42	144	85	80	147	63
90	M48	166	100	90	168	68

3- Recommendations.

The eyebolt must be checked before every use in order to ensure that it is not damaged. If there is any damage, such as cracks or deformations, it must be replaced.

The eyebolt that is capable of supporting the load must always been selected (see table of loads).

4- Loads.

CABLE	METRIC	Axial load capacity per ring (WLL)	Load capacity per ring (WLL)	Load capacity per ring (WLL)	Load capacity per ring (WLL)
		Load capacity	$0^\circ < \beta \leq 45^\circ$	$\beta > 45^\circ - 60^\circ$	$0^\circ \leq \beta \leq 45^\circ$
					
20	M6	75	55	38	
20	M8	140	100	70	
25	M10	230	170	115	
30	M12	340	240	170	
35	M14	490	350	245	
35	M16	700	500	350	
40	M18	850	600	425	
40	M20	1200	860	600	
45	M22	1400	1000	700	
50	M24	1800	1290	900	
60	M30	3200	2300	1600	
70	M36	4600	3300	2300	
80	M42	6300	4500	3150	
90	M48	8600	6100	4300	