

Technical data sheet

Title	Cable clip
Standard	DIN 741

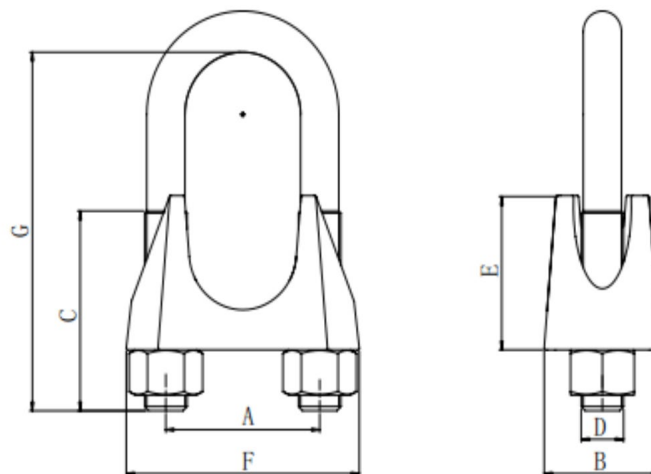
1.- Purpose and field of application.

Cable clips are accessories for forming cable loops, terminals and joints. They are made up of a strut, a body and two nuts. Made from electrolytic steel/zinc plating.

This item is used in all types of cable joints, ties, cable terminals and in temporary connections.

Its use consists of running the cable through the space between the strut and the body and tightening the nuts. This accessory will be chosen depending on the diameter of the cable to be used.

2- Product dimensions and code.



CODE	MEASUREMENT	D	A	B	C	E	F	G
		M	nom.	nom.	nom.	nom.	nom.	nom.
699320103-03.0	3	M4	9	10	12	10	21	16.5
699320105-05.0	5	M5	11	11	13	10	23	19.65
699320106-06.5	6	M5	13	12	15	11	26	23.65
699320108-08.0	8	M6	16	14	19	15	30	28.65
699320110-10.0	10	M8	19	18	22	17	34	35
699320111-11.0	11	M8	20	19	22	18	36	37
699320112-13.0	12.13	M10	24	23	30	21	40	40.24
699320114-14.0	14	M10	25	23	30	22	44	48.24
699320116-16.0	16	M12	29	26	33	26	50	52.5
699320120-22.0	19	M12	32	29	38	30	54	64.5
699320126-26.0	26	M14	41	36	45	37	65	82.5
699320130-30.0	30	M16	48	37	50	43	74	95.6
699320134-34.0	34	M16	52	42	55	50	80	105.6
699320140-40.0	40	M16	58	45	60	55	86	125.6